



YLI ELECTRONIC



Plastic Surface Smokeproof Door Holder

Model:YD-607

Basic Instruction

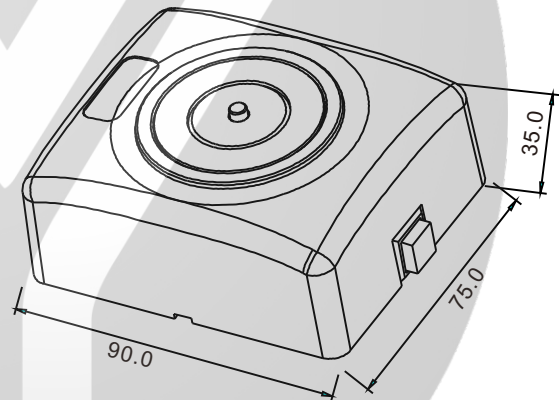
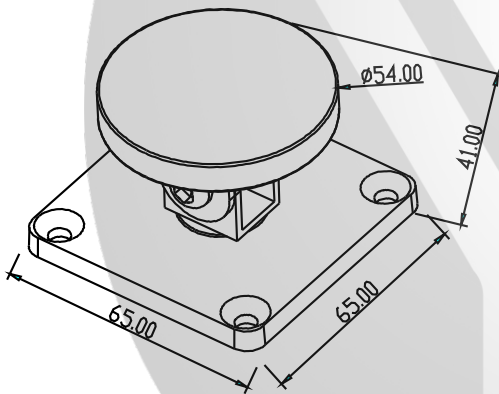
Dual Voltage Selectable(12VDC or 24VDC)
Emergency Release Button/Test Button
Wall Mounting Direction

Low Current Consumption
Reliable Fail-Safe Mechanism

Specifications

- Dimension: 75Lx90Wx35H(mm)
- Voltage: 12/24VDC Adjustable
- Current draw: 12/180mA 24V/70mA
- Surface temp: +20
- Optional: Manual door release button
- Suitable humidity: 0~90%(relative humidity)
- Weight: 0.82kg
- Holding force: 70kg(140Lbs)
- Suitable for: All Kinds of Single(Double) Smokeproof Door
- Finishes for shell: High Temperature Paint and Environmental Protection Zinc
- Finishes for armature: Chromium
- Cover material: ABS

Dimension



Installation

Remarks:

1. The default setting is 24VDC.
2. If user want to connect with 12VDC, operating as below:
 - (1) Pull those two jumpers out. It is showed 4 pins here.
 - (2) To set up 12VDC, insert one jumper on the position of 1 and 2, second jumper on the position of 3 and 4.

