



YLI ELECTRONIC

American standard waterproof electric strike

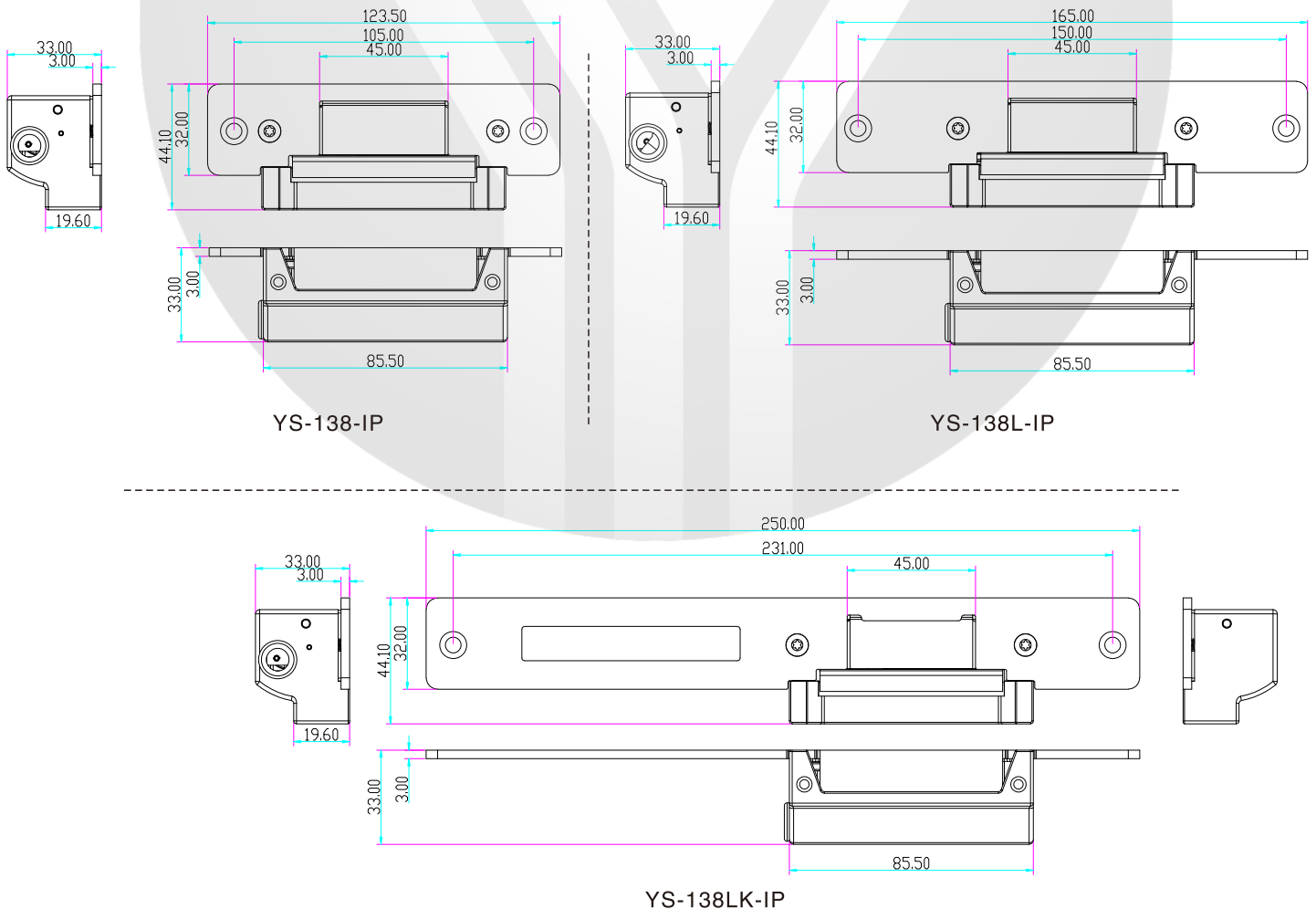
Specification

Model	Face Plate	Voltage	Current	Feature	Suitable for	Waterproof Level	Weight
YS-138-IP	123.5Lx44.1Wx33H	DC 12V(Default) DC 24V(Order)	12V/280mA; 24V/140mA	Fail secure(NO) Fail safe(NC)	Wooden door Metal door Glass door	IP65	0.38kg
YS-138L-IP	165Lx44.1Wx33H	DC 12V(Default) DC 24V(Order)	12V/280mA; 24V/140mA	Fail secure(NO) Fail safe(NC)	Wooden door Metal door Glass door	IP65	0.40kg
YS-138LK-IP	250Lx44.1Wx33H	DC 12V(Default) DC 24V(Order)	12V/280mA; 24V/140mA	Fail secure(NO) Fail safe(NC)	Wooden door Metal door Glass door	IP65	0.42kg

Durability test of solenoid valve: up to 2 million times

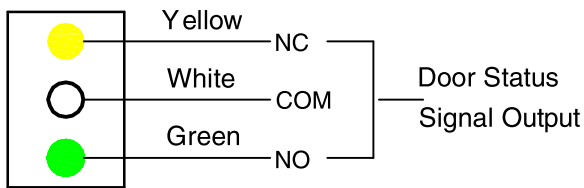
Static strength test: approx. 1100KG

Diagram (unit:mm)



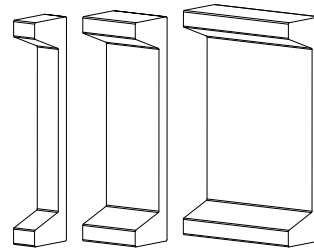
Signal Output

12VDC

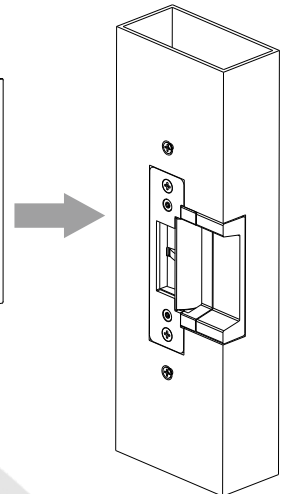


Accessories

If the door frame is too thick, please use the extension plate. Installation is as the follows.



10mm 25mm 50mm
Extension plate(need order)



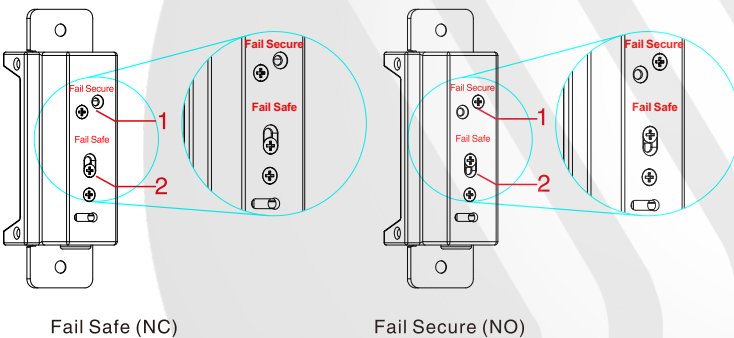
Function Conversion

You can set the operation mode of Fail Safe or Fail Secure.

Fail safe (NC mode): When power off, the door is in unlocked state

Fail secure (NO mode): When power off, the door is in locked state

Remove screw 1 and loosen screw 2, slide screw 2 to the other end of the oblong hole, replace screw 1 to "Fail secure" position, conversion completed.



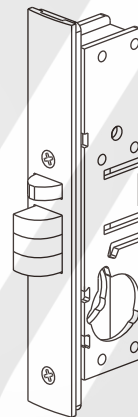
Fail Safe (NC)

Fail Secure (NO)

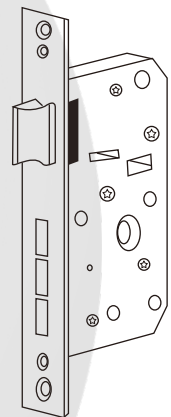
Options of Mechanical Lock

Suitable for: YS-138-IP, YS-138L-IP

Suitable for: YS-138LK-IP



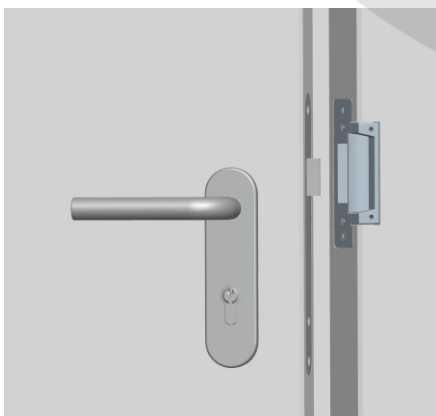
YS-305/306



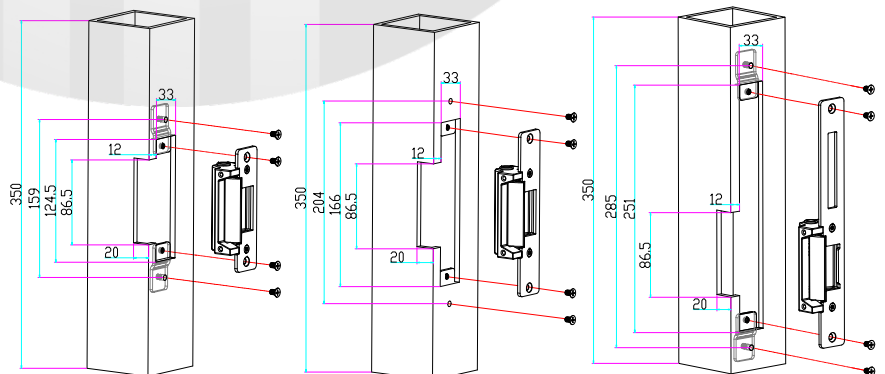
YS-308

⚠ Tips: Please loosen and slide screw 2 carefully, do not take it out, otherwise it will cause the internal solenoid valve to fall off.

Installation Diagram



Overall Dimensions



YS-138-IP

YS-138L-IP

YS-138LK-IP