



YLI ELECTRONIC

ANSI standard Heavy Duty Electric Strike



Patent: No.201320470904.1

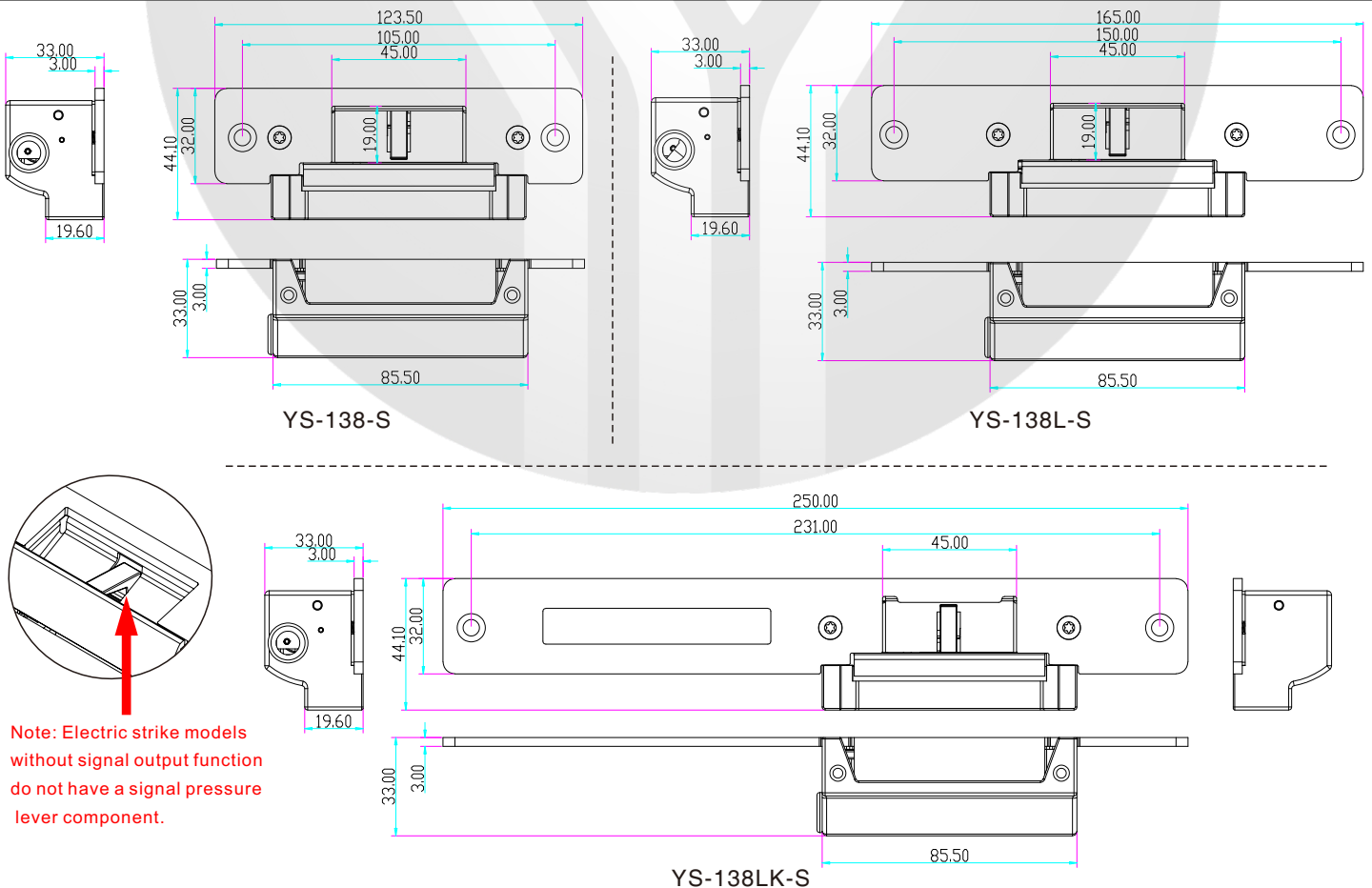
Specification

Model	Dimension	Voltage	Current	Feature	Suitable for	Signal output	Weight
YS-138	123.5Lx44.1Wx33H	DC 12V	12V/280mA	Fail secure(NO) Fail safe(NC)	Wooden door Metal door Glass door	No	0.38kg
YS-138-S	123.5Lx44.1Wx33H	DC 12V	12V/280mA	Fail secure(NO) Fail safe(NC)	Wooden door Metal door Glass door	Yes	0.38kg
YS-138L	165Lx44.1Wx33H	DC 12V	12V/280mA	Fail secure(NO) Fail safe(NC)	Wooden door Metal door Glass door	No	0.40kg
YS-138L-S	165Lx44.1Wx33H	DC 12V	12V/280mA	Fail secure(NO) Fail safe(NC)	Wooden door Metal door Glass door	Yes	0.40kg
YS-138LK	250Lx44.1Wx33H	DC 12V	12V/280mA	Fail secure(NO) Fail safe(NC)	Wooden door Metal door Glass door	No	0.42kg
YS-138LK-S	250Lx44.1Wx33H	DC 12V	12V/280mA	Fail secure(NO) Fail safe(NC)	Wooden door Metal door Glass door	Yes	0.42kg

Durability test of solenoid valve: up to 2 million times

Static strength test: approx. 1100KG

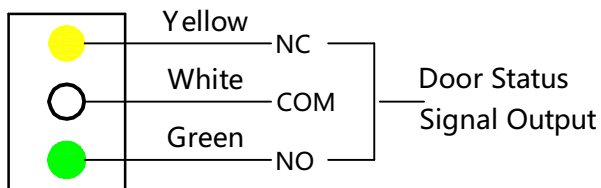
Diagram (unit:mm)



Note: Electric strike models without signal output function do not have a signal pressure lever component.

Signal Output

12VDC



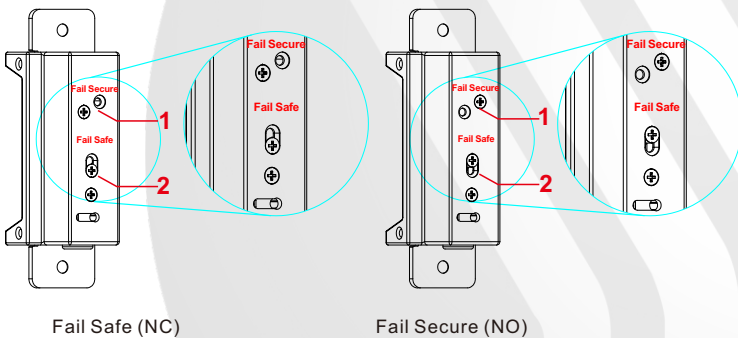
Function Conversion

You can set the operation mode of Fail Safe or Fail Secure.

Fail safe (NC mode): When power off, the door is in unlocked state

Fail secure (NO mode): When power off, the door is in locked state

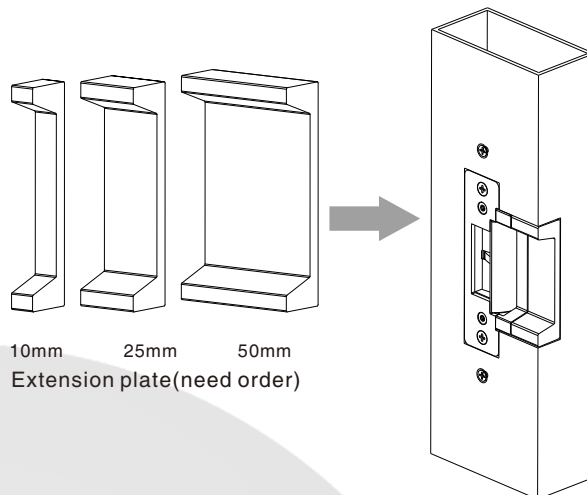
Remove screw 1 and loosen screw 2, slide screw 2 to the other end of the oblong hole, replace screw 1 to "Fail secure" position, conversion completed.



! Tips: Please loosen and slide screw 2 carefully, do not take it out, otherwise it will cause the internal solenoid valve to fall off.

Accessories

If the door frame is too thick, please use the extension plate. Installation is as the follows.

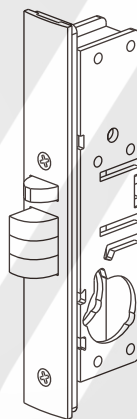


10mm 25mm 50mm
Extension plate(need order)

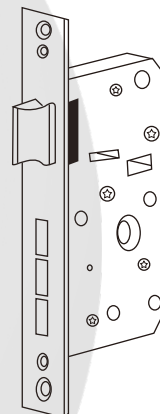
Options of Mechanical Lock

Suitable for: YS-138, YS-138L

Suitable for: YS-138LK



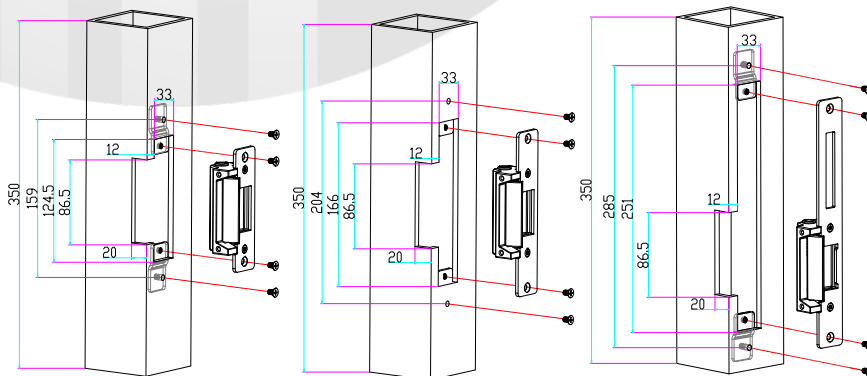
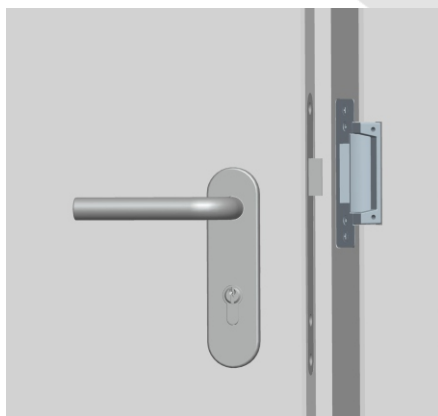
YS-305/306



YS-308

Installation Diagram

Overall Dimensions



YS-138

YS-138L

YS-138LK