



YLI ELECTRONIC

Waterproof Touch Exit Button

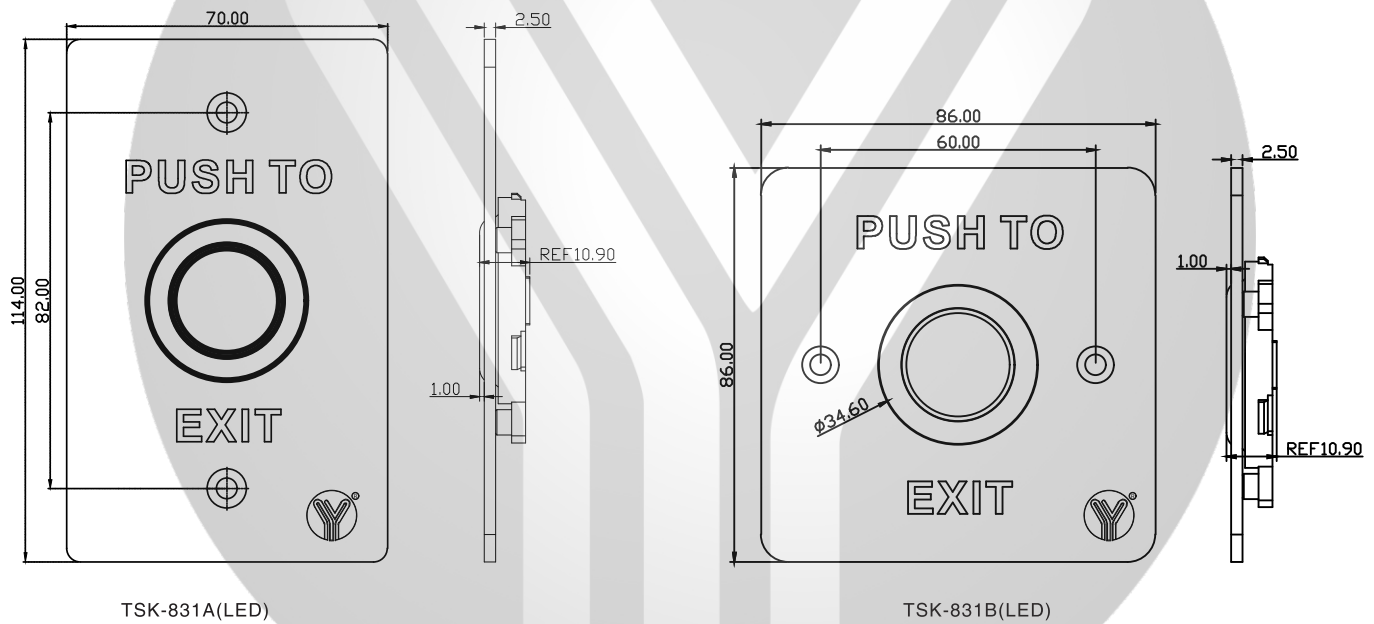


Model: TSK-831A/B(LED)

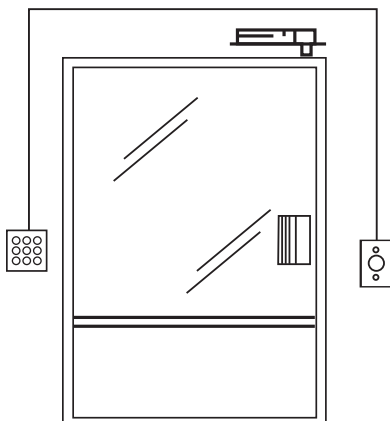
Specification

- Dimensions: 114Lx70Wx10.9H(mm) (TSK-831A(LED))
- LED Status: Red: Standby Green : Operation
- 86Lx86Wx10.9H(mm) (TSK-831B(LED))
- VStandard Structure: 304 stainless steel panel with wiredrawing finish
- Voltage:12-24V
- Mechanical Life: 1000,000 tests
- Current:≤70mA
- Operating Temp:-20°C ~ 50°C
- Output Contact: NO/NC/COM
- Weight: 0.2kg
- Current Rating: 1A@30VDC
- Waterproof Level:IP65

Dimensional Drawing



Installation & Wiring Diagram



Positive Pole		Red	+
Negative Pole		Black	-
NC		Yellow	NC
COM		White	COM
NO		Green	NO